

# VIRA®

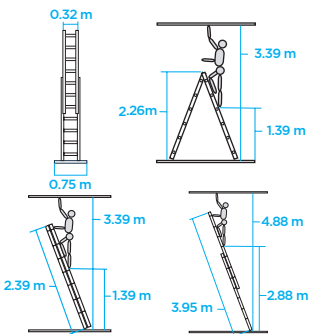
«SCAFFOLDS PLANT» CO. LTD  
ROOM 108, BUILDING 2,  
KORPIKOVO INDUSTRIAL  
ZONE, GATCHINSKIY DISTRICT,  
LENINGRADSKIY REGION,  
188301, RUSSIA.

[HTTPS://ZAVODNV.RU/EN/](https://zavodnv.ru/en/)

## 4220209

2x9

8,4 kg



EN131-1:2019  
EN 131 - 2:2010 + A2:2017  
EN 131 - 3:2018



EN ISO 7010-W008



EN ISO 7010-M002

05.03.4220209