

VIRA®

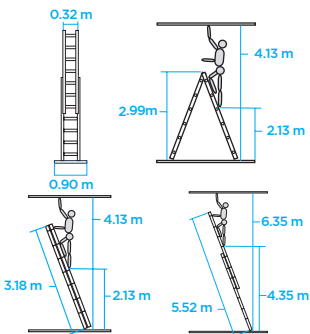
«SCAFFOLDS PLANT» CO. LTD
ROOM 108, BUILDING 2,
KORPIKOVO INDUSTRIAL
ZONE, GATCHINSKIY DISTRICT,
LENINGRADSKIY REGION,
188301, RUSSIA.

[HTTPS://ZAVODNV.RU/EN/](https://zavodnv.ru/en/)

4220212

2x12

11,9 kg



EN131-1:2019
EN 131 - 2:2010 + A2:2017
EN 131 - 3:2018



EN ISO 7010-W008



EN ISO 7010-M002

05.03.4220212